

DATASHEET

Name: Galaxy Pendant

Standards: SANS 60598-2-1

Product Code: PEN428

Description: PEN428: Galaxy Pendant, Metallic Silver Grey, Ø360mm x 400mm, Surface Mounted, E27 Lampholder, Aluminium & Wood, 220-240V AC | 50-60Hz, IP20



Construction Specification

Dimensions: Ø360mm x 400mm

Cord Length: 1,500mm

Luminaire Colour: Metallic Silver Grey

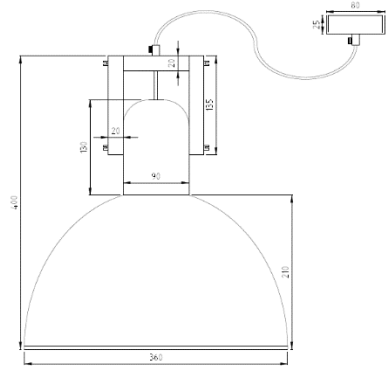
Installation Type: Surface Mounted

Environment: Indoor

Material: Aluminium & Wood

Total Weight: 3,5 Kg

Dimensions [mm]



Electrical Specifications

Ingress Protection: 20

Light Source: E27 Lampholder

Power Supply: 220-240V AC | 50-60Hz

Operating Temp: Min 5°C / Max 45°C

Certifications



Colour Code	Finish
BA	Brushed Aluminium
BB	Brushed Brass
BC	Brushed Copper
MC	Metallic Copper
MK	Matt Black
MW	Matt White
MSG	Metallic Silver Grey
SW	Sandpaper White
SK	Sandpaper Black
Z	Bespoke colour finish as customer requests

*Example product code: PEN428MSG

Product Code	Dimensions
PEN428	Ø330mm x 400mm
PEN428.1	Ø430mm x 440mm

ARC Lighting CC

12 Goud Crescent, Brackenfell Industrial, Cape Town, Western Cape, 7560 South Africa

Tel: 021 981 0539

Email: info@arclighting.co.za

Website: www.arclighting.co.za

ARC Lighting CC registered in South Africa No. 1994/011049/23



The
South African
Quality Institute

