

DATASHEET

Name: FM Pendant Flat Top

Standards: SANS 60598-2-1

Product Code: PEN59

Description: PEN59: FM Pendant Flat Top, Red, Ø440mm x 340mm, Surface Mounted, E27 Lampholder, Aluminium, 220-240V AC | 50-60Hz, IP20



Construction Specification

Dimensions: Ø440mm x 340mm

Cord length: 1,500mm

Luminaire Colour: Red

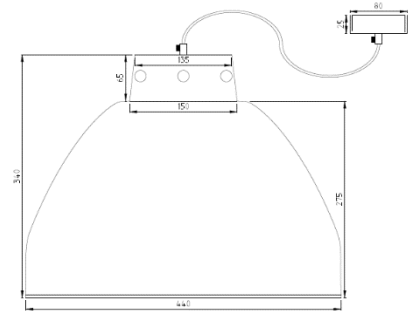
Installation Type: Surface Mounted

Environment: Indoor

Material: Aluminium

Total Weight: 2 Kg

Dimensions [mm]



Electrical Specifications

Ingress Protection: 20

Light Source: E27 Lampholder

Power Supply: 220-240V AC | 50-60Hz

Operating Temp: Min 5°C / Max 45°C

Certifications



*Code	Finish
BA	Brushed Aluminium
BB	Brushed Brass
BC	Brushed Copper
MK	Matt Black
MW	Matt White
SW	Sandpaper White
SK	Sandpaper Black
Z	Bespoke colour finish as customer requests

*Example product code: PEN59Z

ARC Lighting CC

12 Goud Crescent, Brackenfell Industrial, Cape Town, Western Cape, 7560 South Africa

Tel: 021 981 0539

Email: info@arclighting.co.za

Website: www.arclighting.co.za

ARC Lighting CC registered in South Africa No. 1994/011049/23



The South African Quality Institute

