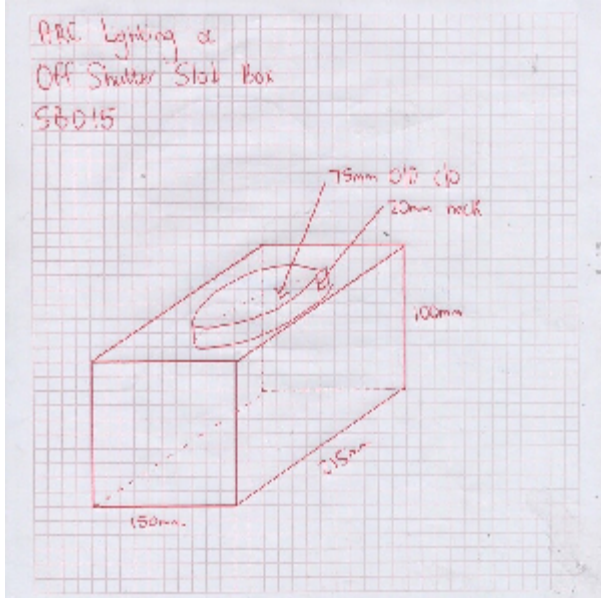


SB015: Off Shutter Slab Box



SPECIFICATIONS

COLOUR	Raw
DIMENSIONS	150 x 215 x 100mm
IP	
LAMPHOLDER	
MATERIAL	Mild Steel
VOLTAGE	

PRODUCT CODES

SB015

Off Shutter Slab Box



ARC Lighting CC

12 Goud Crescent, Brackenfell Industrial, Cape Town, 7560, South Africa
 Tel: +27 (0)21 981 0539 | Fax: +27 (0)21 981 1092
 sales@arclighting.co.za | www.arclighting.co.za